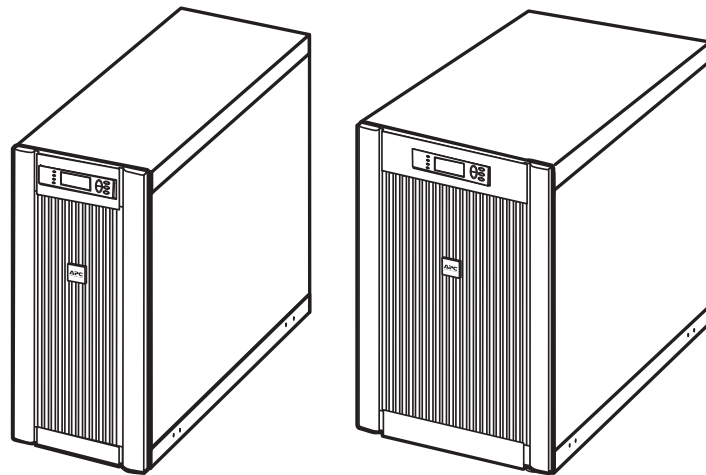


Receiving and Unpacking

Smart-UPS[®] VT 10–40 kVA, 400 V

10-20 kVA

30-40 kVA



IMPORTANT SAFETY INSTRUCTIONS SAVE THESE INSTRUCTIONS

Symbols used



Caution: Read this information to avoid equipment damage.



Heavy: Indicates a heavy load that should not be lifted without assistance.



Note: Indicates important information.

Shipping Weights and Dimensions

APC Part Nos.	Weight (kg)	Height (mm)	Width (mm)	Depth (mm)
SUVT(P)10KH(S)	173	1290	720	1110
SUVT(P)15KH(S)	173	1290	720	1110
SUVT(P)20KH(S)	173	1290	720	1110
SUVT(P)30KH(S)	221.5	1290	720	1110
SUVT(P)40KH(S)	221.5	1290	720	1110

Receiving

External inspection

When the shipment arrives, inspect the shipping material for any signs of damage or mishandling. Do not attempt to install the system if damage is apparent. If any damage is noted, contact APC and file a damage claim with the shipping agency within 24 hours.

Compare the components of the shipment with the bill of lading. Report any missing items to the carrier and to APC immediately.

Verify that labelled units match the order confirmation.

Moving to Installation Site



The Smart-UPS VT has wheels making it easy to move the UPS to the installation site after it has been unpacked. However, if the receiving area is far from the installation site, we recommend that you move the UPS by using a pallet jack before you start to unpack the UPS.

Unpacking



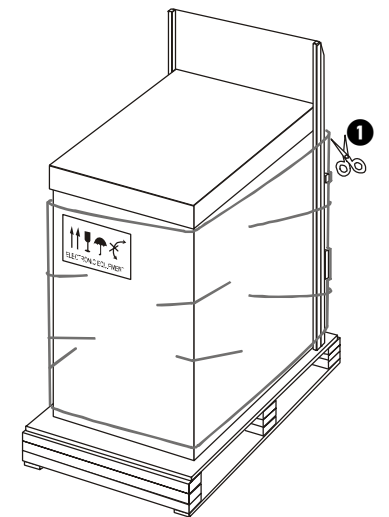
If the receiving area is far from the installation site, we recommend that you move the UPS by using a pallet jack before rolling it off the pallet.

How to unpack the UPS

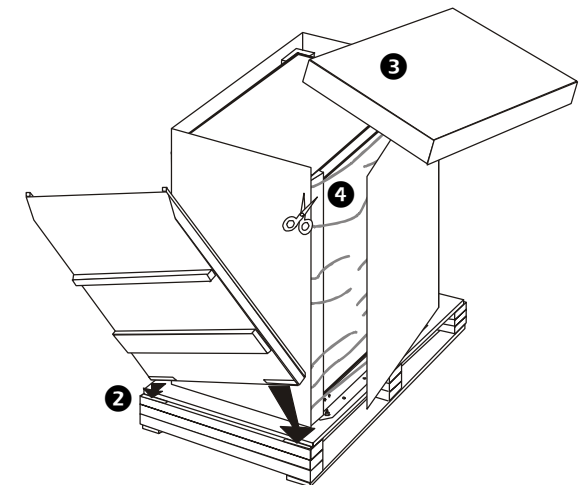


Caution: Do not unpack the units before the time of the installation.

- 1 Cut carefully around the edges to remove the plastic and free the ramp.

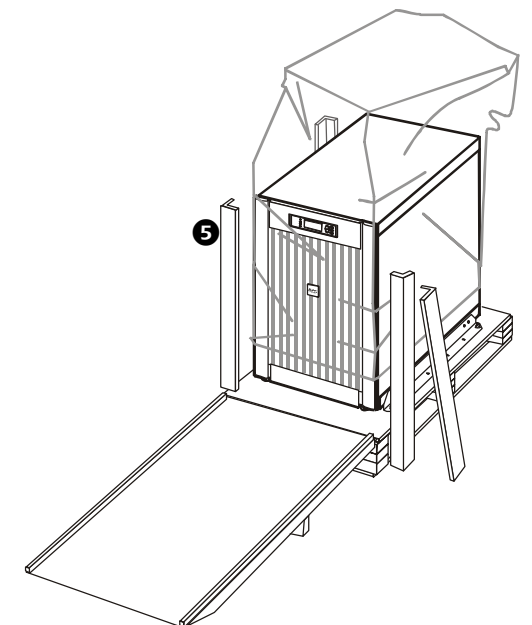


- 2 Place the ramp by aligning the velcro strips on the ramp with the velcro strips on the front edge of the pallet.

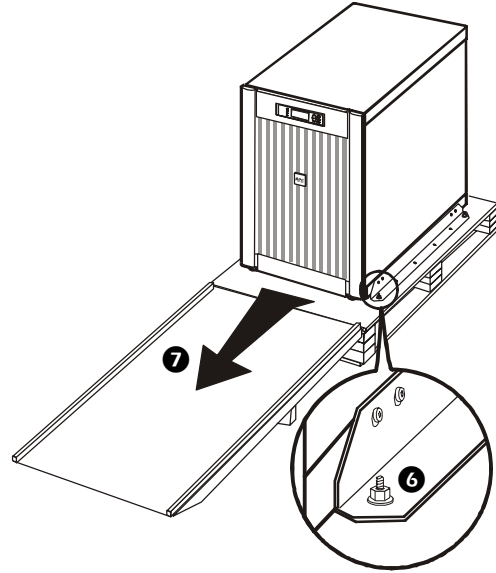


- 3 Remove the cardboard cover.
- 4 Cut along the edges of the cardboard material and remove it.

- 5 Remove the corner protection and the plastic bag.



- 6 Remove the bolts from the two brackets attaching the UPS to the pallet and save the brackets for floor anchoring, if required.
- 7 Roll the UPS off the pallet.



Please Recycle

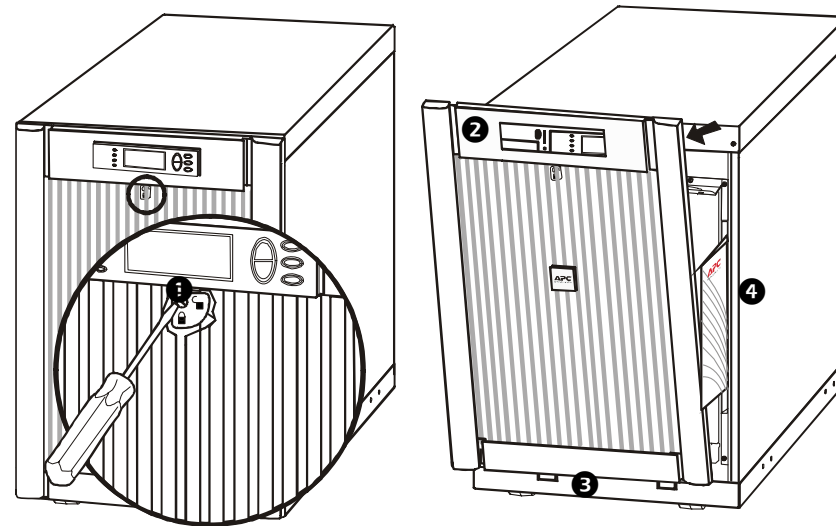


The shipping materials are recyclable. Save them for later use, or dispose of them appropriately.

Storage Conditions

Operating temperature: 0°C to 40°C/32°F to 104°F	Relative Humidity: 0-95% Non-condensing	Storage place free from vibration, dust, direct sunlight, and moisture.

Documentation Storage



- 1 Remove the front panel by turning the screw to the right to the unlocked position.
- 2 Pull the upper part of the front panel free of the UPS.
- 3 Lift the front panel free of the two slots at the bottom of the UPS.
- 4 Find the manuals behind the front panel to the right.

Contact Information

For local, country-specific centers: go to www.apc.com/support/contact or see the back cover of the operation manual for phone numbers.