



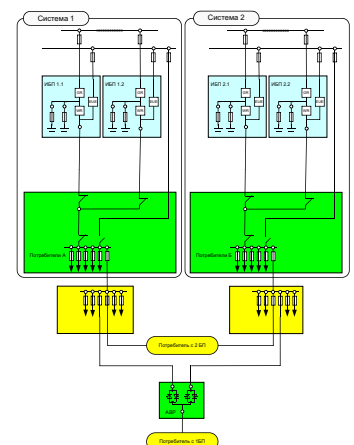
## BRIGHT IDEAS REQUIRE IMPLEMENTATION MECHANISMS



### UNINTERRUPTIBLE POWER SUPPLY: SOLUTIONS BASED ON EQUIPMENT OF WORLD LEADING VENDORS

Radius Group implements complex projects in the area of uninterruptible and guaranteed power supply. Unlike the companies which work with the equipment of a single vendor and are limited by the appropriate pricing and technical constraints we offer:

- **Full product lines of UPS and diesel-generator sets of world leading vendors**  
(Liebert / Emerson, Coelmo, APC, AEG, Powerware / Eaton)
  - UPS (systems of permanent current, systems of variable current)
  - diesel-generator sets, diesel power stations
  - static transfer switches
  - accumulators
- **Solutions for any area of usage, any capacity, any price range**
  - UPS for PC and work stations
  - UPS for network equipment and servers
  - UPS for computing centers and entire sites
- **Specialized industry solutions for**
  - government entities and corporations
  - industrial enterprises
  - IT and telecommunication companies
  - small and medium business.



## SOLUTIONS OF ANY CAPACITY, ANY PRICE RANGE

	LIEBERT	AEG	POWERWARE	APC
UPS for PC and work stations	PSP XT PSA 2	Protect A	Powerware 3105 Powerware 5110 Powerware 5115 Powerware 5115 RM	Back-UPS ES Back-UPS CS Back-UPS RS Back-UPS HS
UPS for network equipment and servers	PSI 2 GXT 2 Nfinity	Protect B Protect C Protect 1.11 Protect 1.MOD Protect 1.31	Powerware 5125 Powerware 5125 RM Powerware 9120 Powerware 9125 Powerware 9140 Powerware 9155 8-15 kVA Powerware 9355 8-15 kVA	Smart-UPS Smart-UPS SC Smart-UPS XL Smart-UPS RT Symmetra Symmetra LX
UPS for computing centers and entire sites	Nxe Nxf Nxa HiPulse E	Protect 2.33 Protect 3.31 Protect 3.33 Protect 3 M Protect 4.33	Powerware 9155 20-30 kVA Powerware 9355 20-40 kVA Powerware 9390 Powerware 9370 Powerware 9395	Smart-UPS VT Symmetra PX

### ADVANTAGES OF OUR SOLUTIONS

#### We have significant experience of work in the UPS market

Radius Group has been working in the uninterruptible power systems market since 1999. We have fulfilled a lot of projects and accumulated experience in creating different solutions in the area of power supply.

#### We provide high quality solutions

To create an appropriate solution and to correctly select the necessary equipment for autonomous power supply is a sophisticated engineering task which require high qualification. All the engineers of our Department of Power Systems have been trained in the training centers of vendor companies and have been certified for all the proposed types of UPS and diesel generators. Radius Group possesses the full set of licenses that allow to run design and construction activity on the territory of the Russian Federation. Our engineers will fulfill for you all the works necessary for power solutions:

- power audit of the site
- equipment expertise
- optimal equipment configuration
- preparing project documentation.

As a result you will get **the optimal solution** that fully answers your requirements.

#### We work fast

We have an important advantage that allows us to fulfill orders in the shortest possible time: our own warehouse of UPS and diesel-generator sets. We also have a dealership network that helps us to make deliveries to Customers in the Russian regions.

#### We ensure service support

We pay a lot of attention to service support of the equipment that we install. Our service center has a specially equipped maintenance site with a warehouse of spare parts. All the specialists of our service center have appropriate certification.